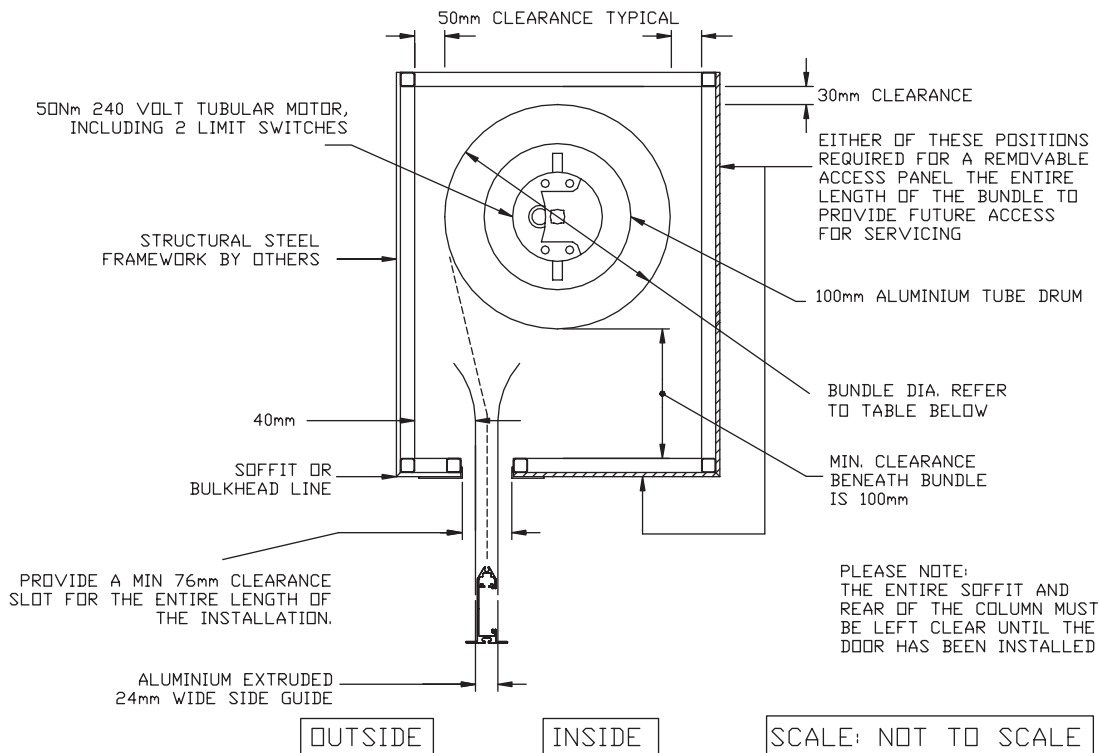


### TUBULAR MOTORISED SERIES 35 ALUMINIUM ROLLER SHUTTER SUGGESTED BULKHEAD DETAILS



N.B THE INTERNAL END OF THE BULKHEAD MUST BE CLEAR TO AT LEAST A MINIMUM OF 65mm OR A RECOMMENDED 153mm FROM THE DAYLIGHT OPENING, i.e THE FRONT OF THE GUIDE (REFER TO TECH SHEETS 15C AND 15D)

N.B DROP HEIGHT IS MEASURED FROM SOFFIT OR BULKHEAD LINE TO THE FLOOR

N.B REMOVABLE MULLIONS ARE NOT RECOMMENDED FOR THIS PRODUCT

N.B A MANUAL RELEASE MECHANISM IS NOT AVAILABLE WITH THIS PRODUCT

N.B LOCKS SHOULD NOT BE FITTED, BUT SOME LIFTING OF THE SHUTTER MAY BE POSSIBLE

MIRAGE TYPICAL DIMENSIONS REQUIRED FOR VARIOUS DROPS						
Drop Height	900	1200	1500	1800	2100	2400
Bundle Dia.	180	190	200	230	240	250
Min Total Horizontal Internal Space Required	280	290	300	330	340	350
Min Total Vertical Internal Space Required	<b>310</b>	<b>320</b>	<b>330</b>	<b>360</b>	<b>370</b>	<b>380</b>

	Width	Height
MAXIMUM SIZES	2400	2250
MINIMUM SIZES	800	300

Refer to your Mirage representative for weights of the roller doors.

Mirage Doors has a continuous program of product development and reserves the right to change specifications at any time without notice.

- PLEASE NOTE
1. IF INADEQUATE ACCESS IS PROVIDED MIRAGE WILL NOT BE HELD RESPONSIBLE FOR MAINTENANCE NOR THE COSTS INCURRED TO CREATE ADEQUATE ACCESS
  2. MIRAGE TUBULAR MOTORIZED SHUTTERS MUST BE INSTALLED TO STRUCTURAL SUPPORTS i.e. TIMBER STUDS, CORE FILLED MASONRY, TILT UP CONCRETE PANELS
  3. ALL STRUCTURAL SUPPORTS FOR BRACKETS AND SIDE GUIDES TO BE PROVIDED BY OTHERS
  4. ALL WIRING AND SETTING OF LIMITS BY OTHERS