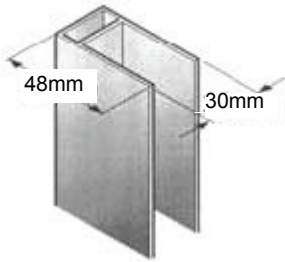


MIRAGE

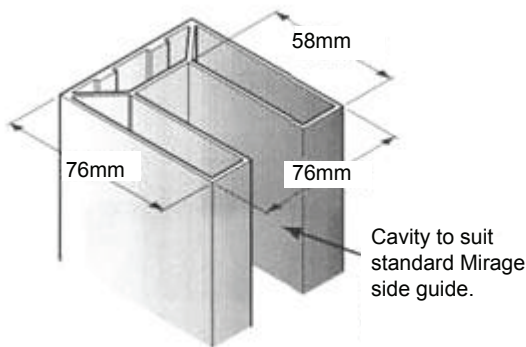
D O O R S

SQUARE SUPPORT POST

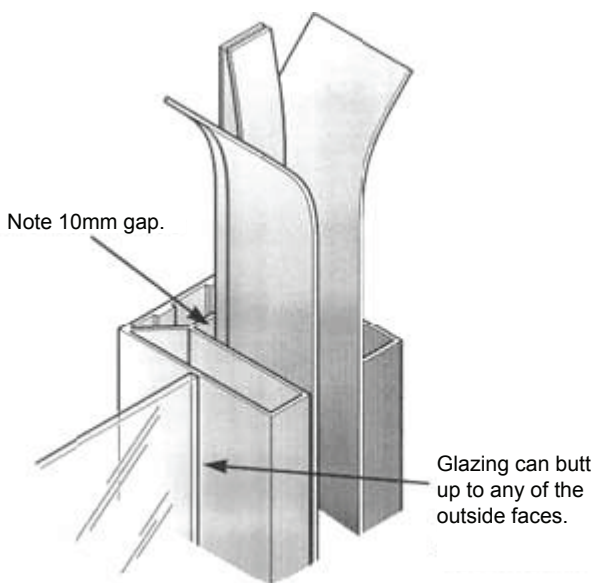
76x76mm. Product Code AE / MSP / 76x76



Mirage Standard Extruded Aluminium Side Guide Channel.



Mirage Heavy Duty Extruded Aluminium Post. Product code AE / MSP / 76x76. Designed to help support and to help conceal the roller grille or roller shutter standard side guide. Post wall thickness is 2mm.



The guide protrudes from the top of the square post with the top flared. The side guide is positioned to give a flush finish with the face of the post. This allows for a 10mm gap between the back of the guide and the inside of the post. This unique feature allows Mirage to install or service the door without interrupting the ceiling/bulkhead or removing the posts.

Base and head fixing plates are available as an optional extra.