

TECHNICAL DATA
SHEET
9B

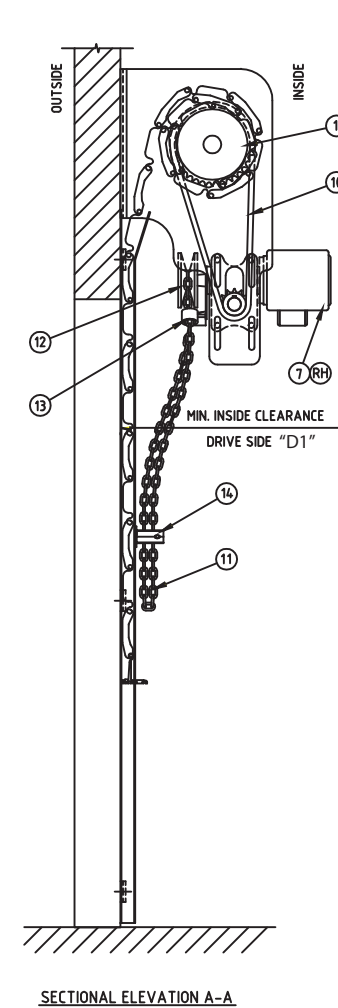
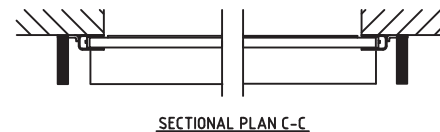
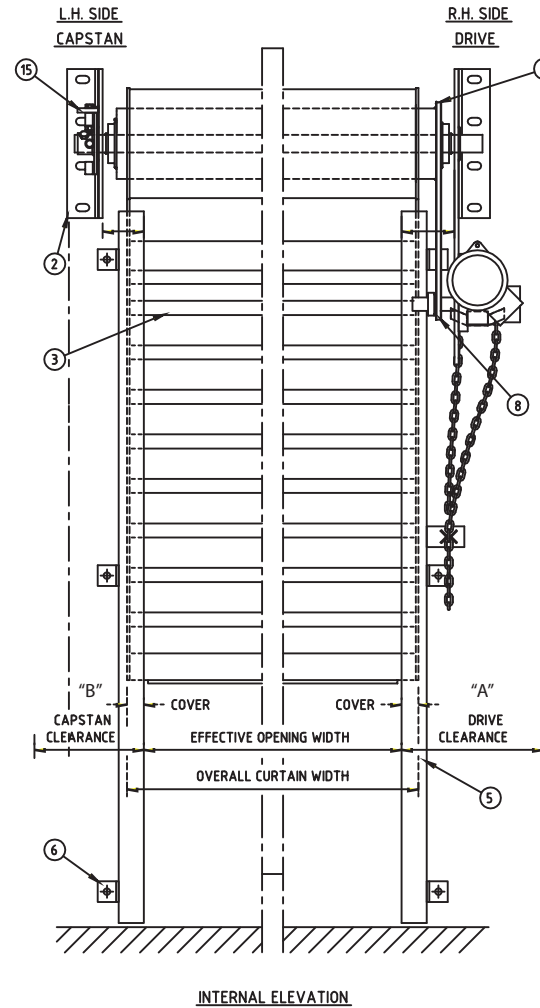
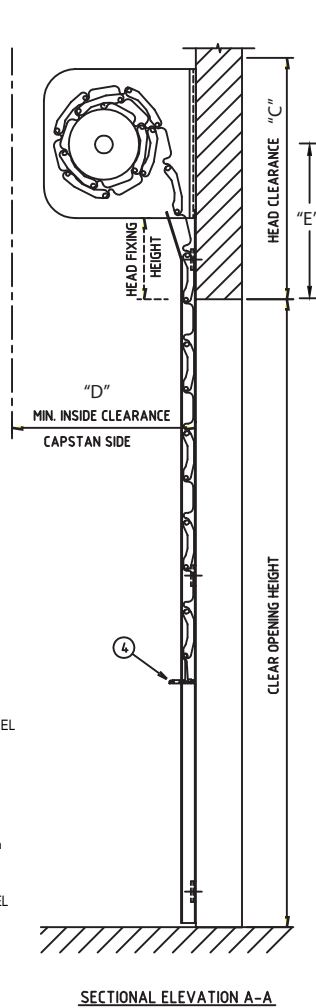
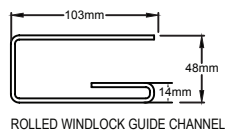
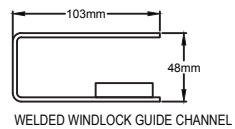
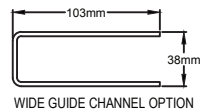
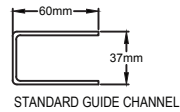
S100 Generic Layout

Also for Series 70 Roller Grilles
For Series 3 Roller Shutters, refer to Technical Data Sheet 5 & 6 with O.C.R. Details

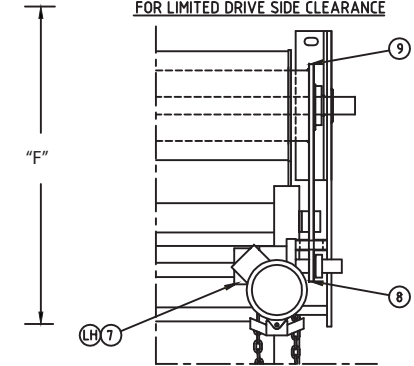
MIRAGE

D O O R S

GUIDE OPTIONS :



ALTERNATIVE ARRANGEMENT OF DRIVE UNIT FOR LIMITED DRIVE SIDE CLEARANCE



GENERAL NOTES :

- ARRANGEMENT AS DRAWN IS RIGHT HAND DRIVE (VIEWED FROM INSIDE)
LEFT HAND DRIVE OPPOSITE HAND

ITEM QUANTITY DESCRIPTION/MATERIAL

ITEM	QUANTITY	DESCRIPTION/MATERIAL
1	1	DRUM
2	1	WALL BRACKET
3	AS REQ.	CURTAIN SLAT
4	1	BOTTOM RAIL
5	1	CURTAIN GUIDE
6	AS REQ.	FIXING LUG - CURTAIN GUIDE
7	1	MOTOR
8	1	DRIVE SPROCKET
9	1	DRIVEN SPROCKET
10	1	DRIVE CHAIN
11	1	HAND CHAIN - EMERGENCY DRIVE
12	1	HAND CHAIN WHEEL
13	1	HAND CHAIN GUIDE
14	1	LOCKING BRACKET FOR HAND CHAIN
15	1	CAPSTAN WHEEL

Member of the

AMgroup