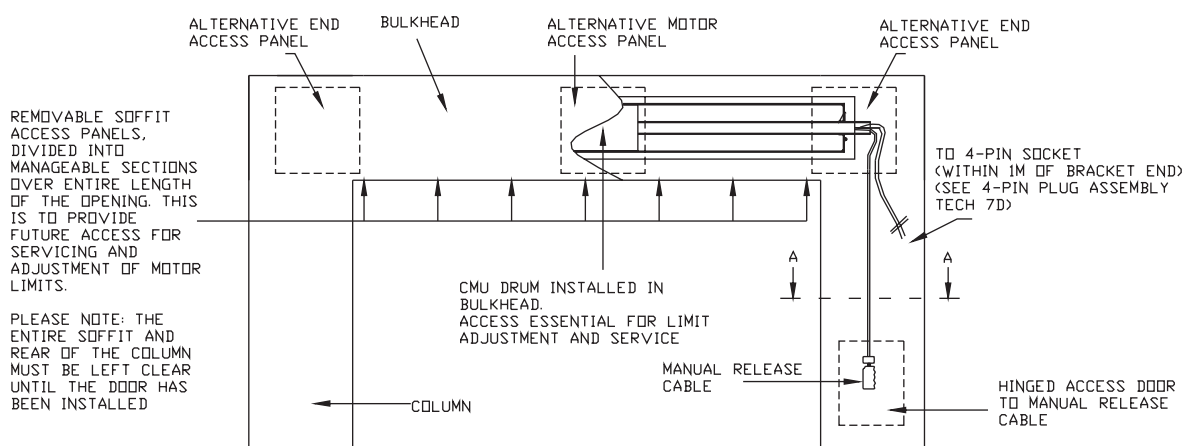
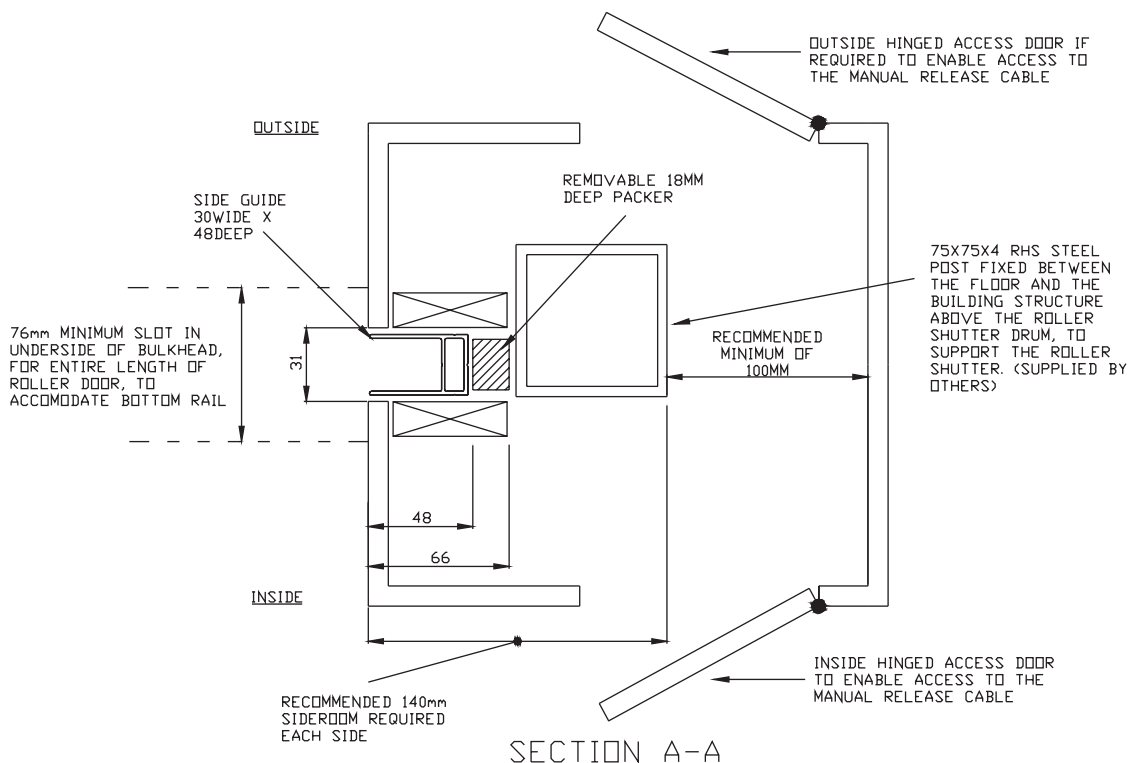


MIRAGE

D O O R S

CENTRAL MOTORISED ALUMINIUM ROLLER SHUTTER (CMU) SUGGESTED BULKHEAD / COLUMN DETAILS



ELEVATION OF DOOR OPENING WITH
CUTAWAY SECTION OF CMU DRUM INSTALLED IN BULKHEAD

Mirage Doors has a continuous program of product development and reserves the right to change specifications at any time without notice.

- PLEASE NOTE
1. IF INADEQUATE ACCESS IS PROVIDED MIRAGE WILL NOT BE HELD RESPONSIBLE FOR MAINTENANCE NOR THE COSTS INCURRED TO CREATE ADEQUATE ACCESS
 2. MIRAGE C.M.U SHUTTERS MUST BE INSTALLED TO STRUCTURAL SUPPORTS i.e. RHS STEEL POSTS, CORE FILLED MASONRY, TILT UP CONCRETE PANELS
 3. ALL STRUCTURAL SUPPORTS FOR BRACKETS AND SIDE GUIDES TO BE PROVIDED BY OTHERS
 4. ALL WIRING AND SETTING OF LIMITS BY OTHERS