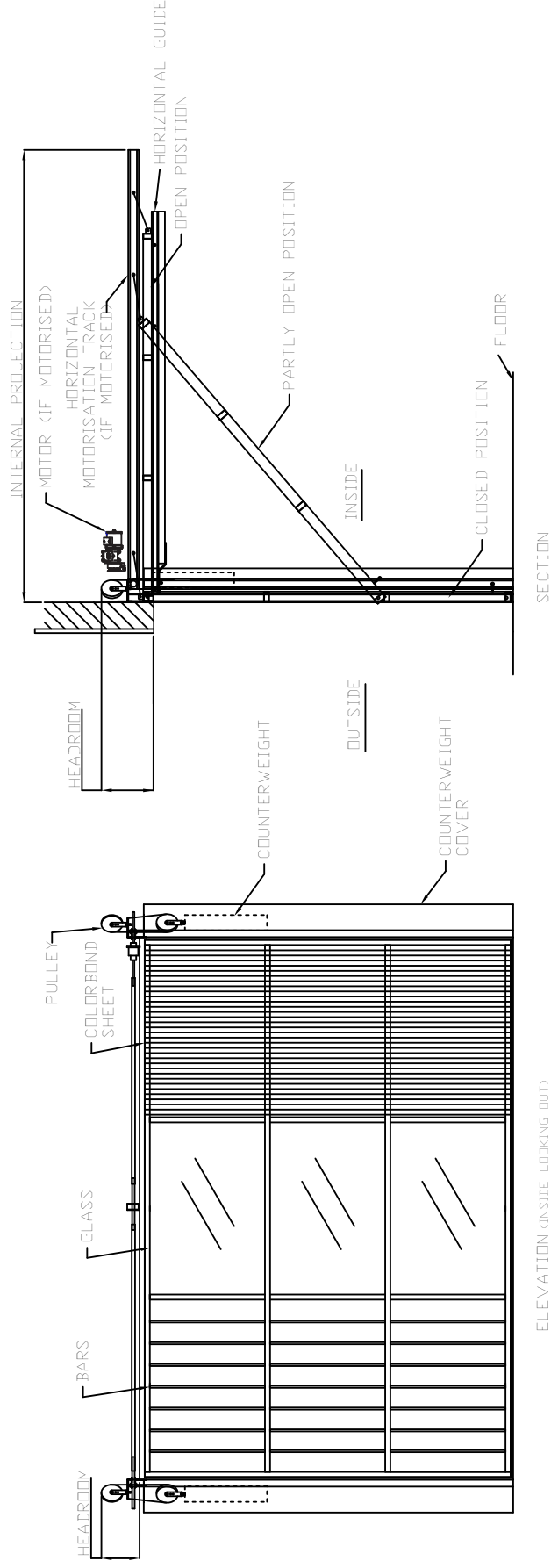


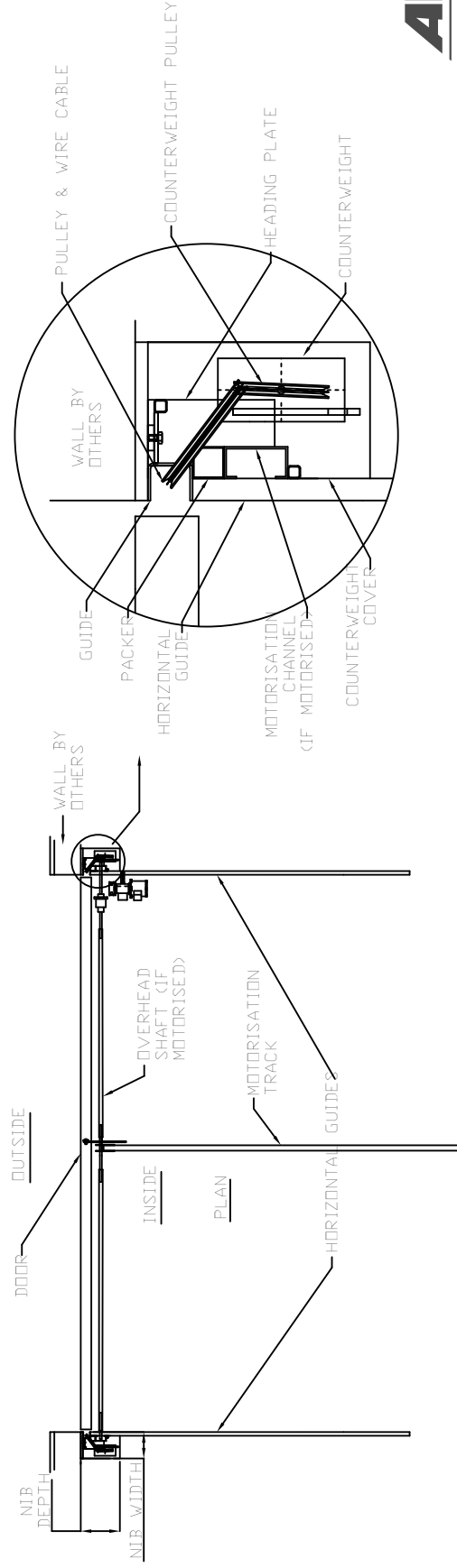
# MIRAGE

## D O O R S

OPERATIONAL CLEARANCE TO SUIT  
SERIES 1500 SINGLE LEAF NO PROJECTION COUNTERWEIGHT DOOR



ELEVATION (INSIDE LOOKING OUT)



SECTION

Mirage Doors has a continuous program of product development and reserves the right to change specifications at any time without notice.