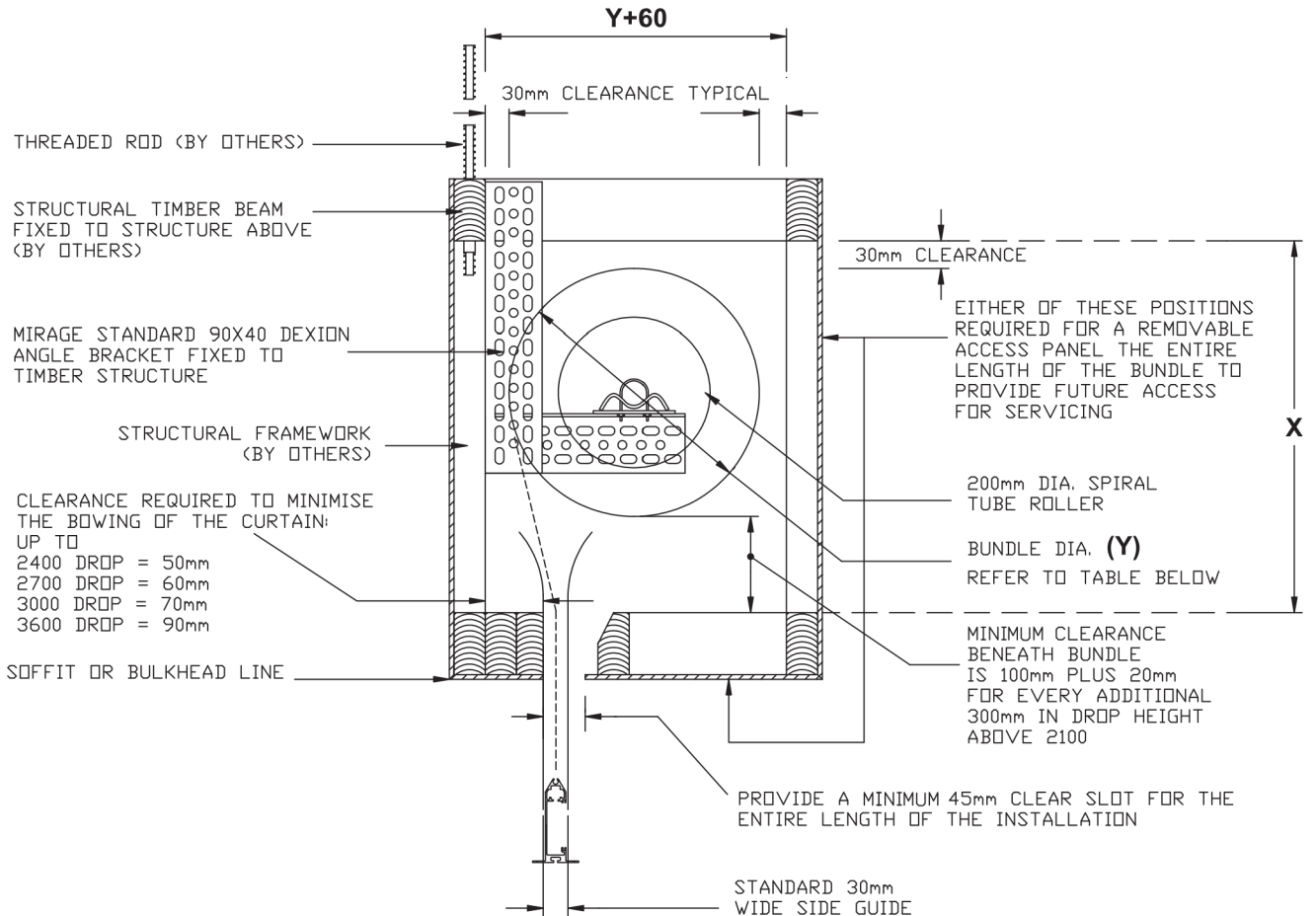


- ALUMINIUM – SECURITY ROLLER GRILLES
- ALUMINIUM – CLEARLINE ROLLER SHUTTERS
- ALUMINIUM – SERIES 1 ROLLER SHUTTERS
- ALUMINIUM – SERIES 2 ROLLER SHUTTERS

## SUGGESTED BULKHEAD DETAILS MANUALLY OPERATED BY HAND TO SUIT



SCALE: NOT TO SCALE

OUTSIDE

INSIDE

N.B THE INTERNAL END OF THE BULKHEAD MUST BE CLEAR TO AT LEAST THE BACK OF THE GUIDE OR OVERALL THE REMOVABLE SIDE MULLION

N.B DROP HEIGHT IS MEASURED FROM SOFFIT OR BULKHEAD LINE TO THE FLOOR

MANUAL OPERATION ONLY – FOR MOTORISED OPERATION REFER TO TECH SHEETS 7A, 7B, 7C & 7D

<b>MIRAGE TYPICAL DIMENSIONS REQUIRED FOR VARIOUS DROPS</b>								
DROP HEIGHT (mm)	1200	1500	1800	2100	2400	2700	3000	3500
BUNDLE DIAMETER <b>Y</b> (mm)	290	300	320	330	340	370	400	420
<b>RECOMMENDED</b> INTERNAL SPACE REQUIRED <b>X</b> (mm)	<b>420</b>	<b>430</b>	<b>450</b>	<b>460</b>	<b>490</b>	<b>540</b>	<b>590</b>	<b>630</b>
<b>MINIMUM</b> INTERNAL SPACE REQUIRED <b>X</b> (mm)	400	410	430	440	450	480	510	530

Mirage Doors has a continuous program of product development and reserves the right to change specifications at any time without notice.

- PLEASE NOTE
1. IF INADEQUATE ACCESS IS PROVIDED MIRAGE WILL NOT BE HELD RESPONSIBLE FOR MAINTENANCE NOR THE COSTS INCURRED TO CREATE ADEQUATE ACCESS
  2. ALL STRUCTURAL SUPPORTS FOR BRACKETS AND SIDE GUIDES TO BE PROVIDED BY OTHERS