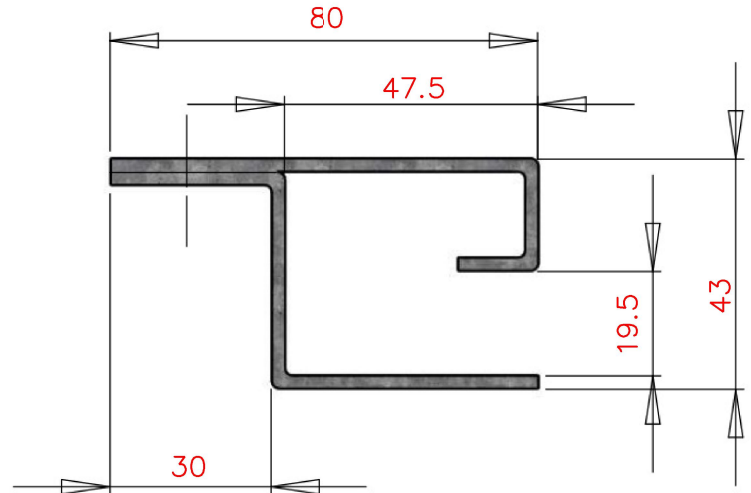
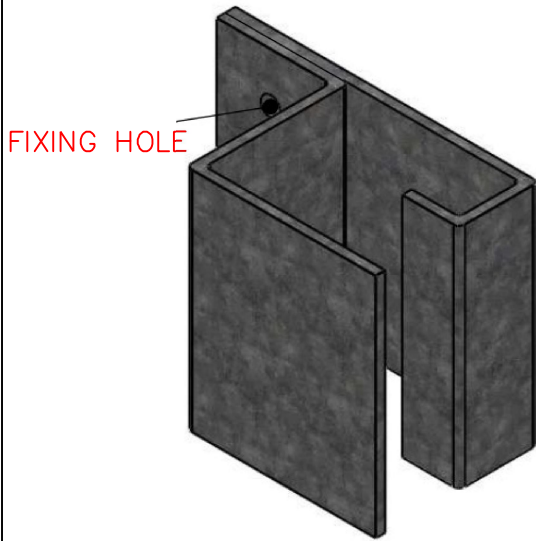
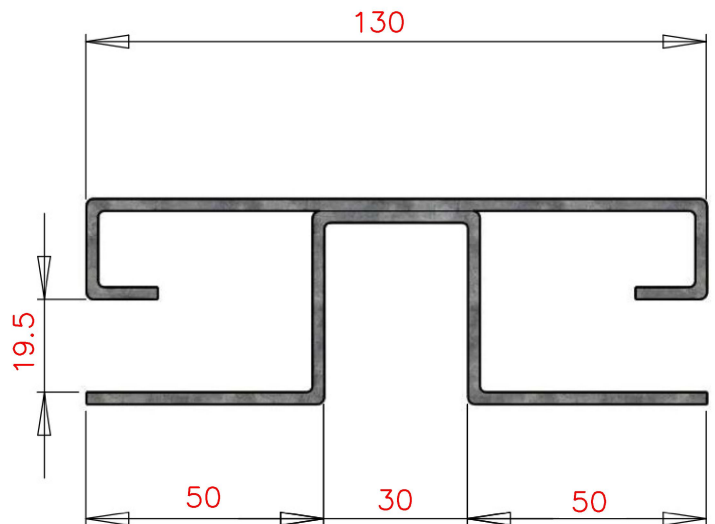
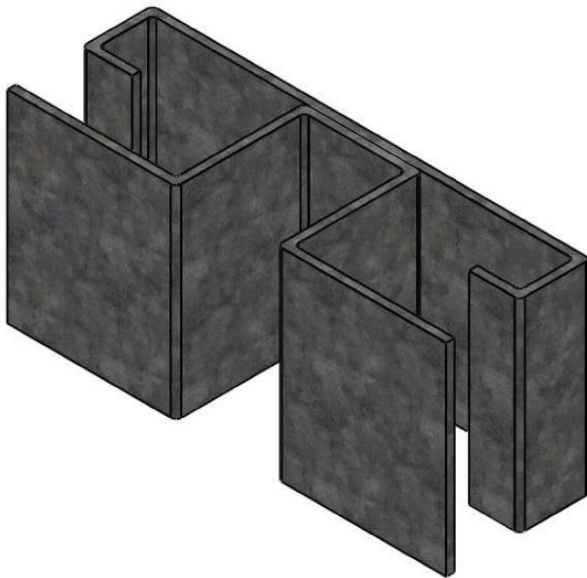


GUARDIAN GUIDE



GUARDIAN MULLION



CONFIDENTIAL NOTE: This drawing and its designs, specifications and engineering information disclosed herein are the property of Mirage Doors (AUST) PTY LTD and are not to be disseminated or reproduced without express written consent. The drawing is loaned in confidence and then only for consideration of the matter disclosed herein. In accepting loan of this drawing, the recipient agrees to keep it and the matter disclosed herein in confidence and not to use nor permit their use in any way detrimental to Mirage Doors (AUST) PTY LTD.

ITEM	QUANTITY	DESCRIPTION	REF. DRG./PART NO.
Mirage Doors (Aust) Pty Ltd ACN 601 182 629 PH 1800 465 599		PROJECT	S50 GUARDIAN
DATE 10/08/15		SCALE	NTS
DRAWN		CHECKED	
APPROVED & DATE		Date	
FILE		SIZE	DRAWING NO.
		A4	AMI-ST0029C
		REV.	SHEET
		0	1/1