

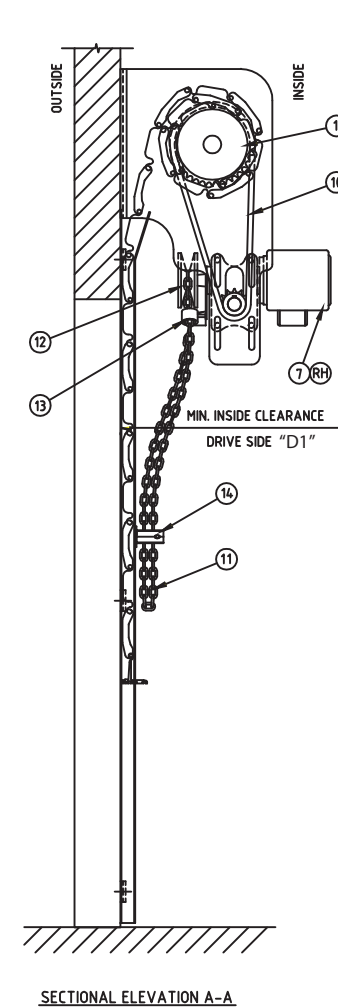
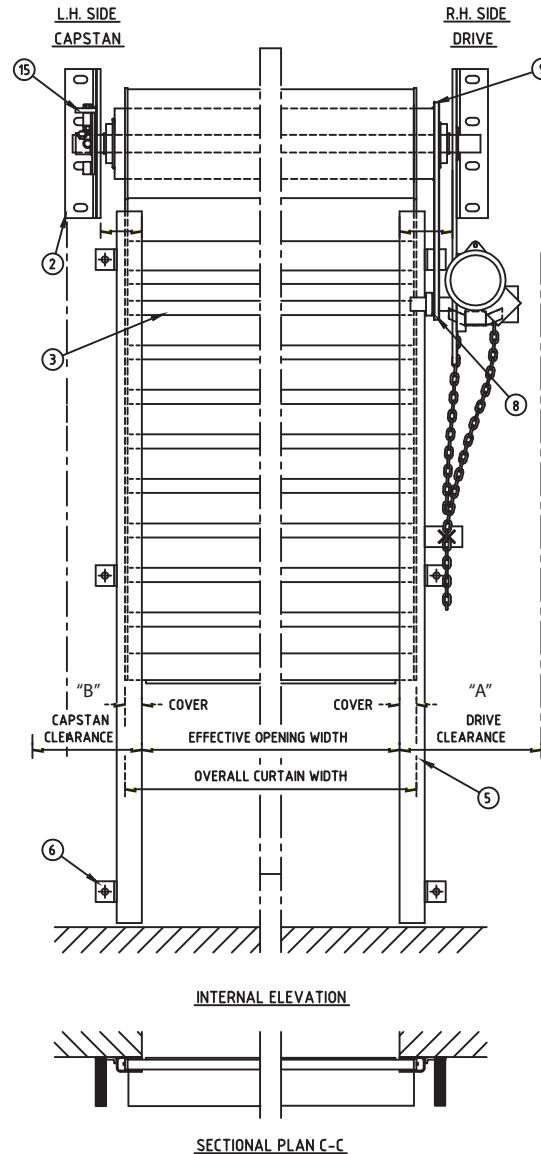
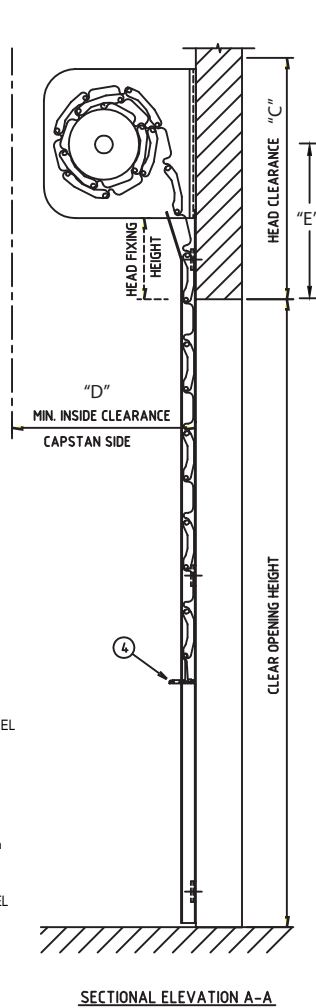
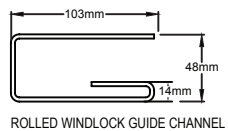
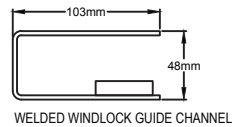
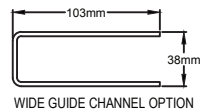
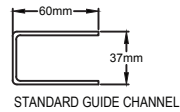
TECHNICAL DATA
SHEET
9B

S100 Generic Layout

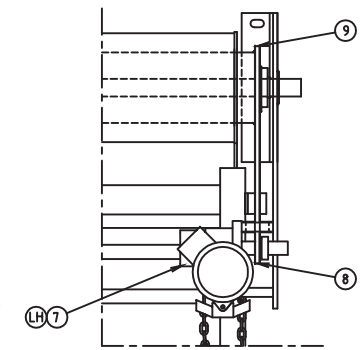
Also for Series 70 Roller Grilles
 For Series 3 Roller Shutters, refer to Technical Data Sheet 5 & 6 with O.C.R. Details



GUIDE OPTIONS :



ALTERNATIVE ARRANGEMENT OF DRIVE UNIT FOR LIMITED DRIVE SIDE CLEARANCE



GENERAL NOTES :
 1. ARRANGEMENT AS DRAWN IS RIGHT HAND DRIVE (VIEWED FROM INSIDE)
 LEFT HAND DRIVE OPPOSITE HAND

ITEM	QUANTITY	DESCRIPTION/MATERIAL
1	1	DRUM
2	1	WALL BRACKET
3	AS REQ.	CURTAIN SLAT
4	1	BOTTOM RAIL
5	1	CURTAIN GUIDE
6	AS REQ.	FIXING LUG - CURTAIN GUIDE
7	1	MOTOR
8	1	DRIVE SPROCKET
9	1	DRIVEN SPROCKET
10	1	DRIVE CHAIN
11	1	HAND CHAIN - EMERGENCY DRIVE
12	1	HAND CHAIN WHEEL
13	1	HAND CHAIN GUIDE
14	1	LOCKING BRACKET FOR HAND CHAIN
15	1	CAPSTAN WHEEL