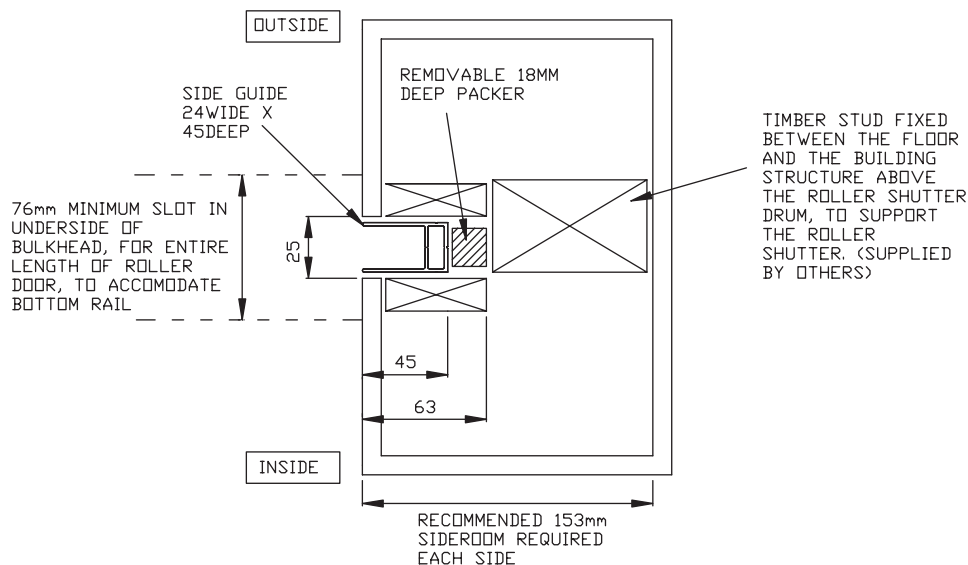
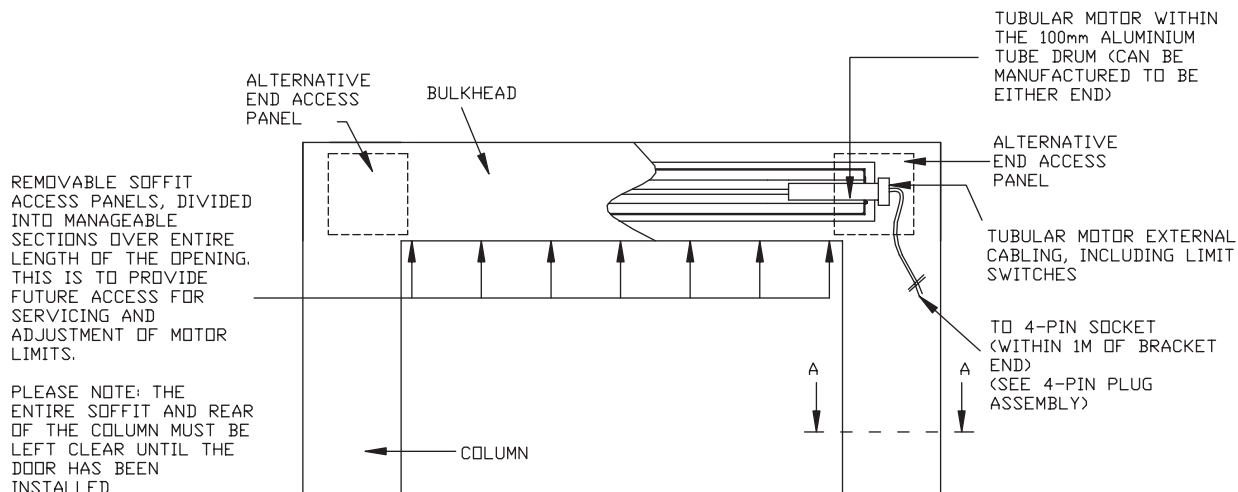


TUBULAR MOTORISED SERIES 35 ALUMINIUM ROLLER SHUTTER SUGGESTED BULKHEAD / COLUMN DETAILS



SECTION A-A



ELEVATION OF DOOR OPENING WITH CUTAWAY SECTION SHOWING THE TUBULAR MOTORISED DRUM INSTALLED IN THE BULKHEAD

N.B. A MANUAL RELEASE MECHANISM IS NOT AVAILABLE WITH THIS PRODUCT

Mirage Doors has a continuous program of product development and reserves the right to change specifications at any time without notice.

- PLEASE NOTE
1. IF INADEQUATE ACCESS IS PROVIDED MIRAGE WILL NOT BE HELD RESPONSIBLE FOR MAINTENANCE NOR THE COSTS INCURRED TO CREATE ADEQUATE ACCESS
 2. MIRAGE TUBULAR MOTORISED SHUTTERS MUST BE INSTALLED TO STRUCTURAL SUPPORTS i.e. TIMBER STUDS, CORE FILLED MASONRY, TILT UP CONCRETE PANELS
 3. ALL STRUCTURAL SUPPORTS FOR BRACKETS AND SIDE GUIDES TO BE PROVIDED BY OTHERS
 4. ALL WIRING AND SETTING OF LIMITS BY OTHERS