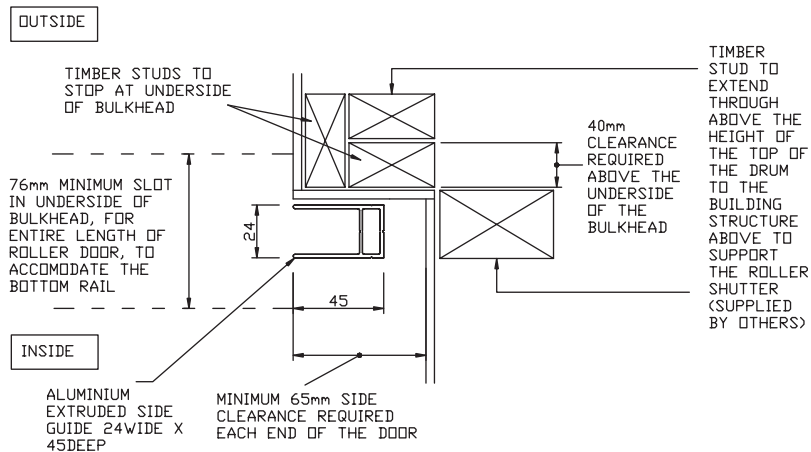


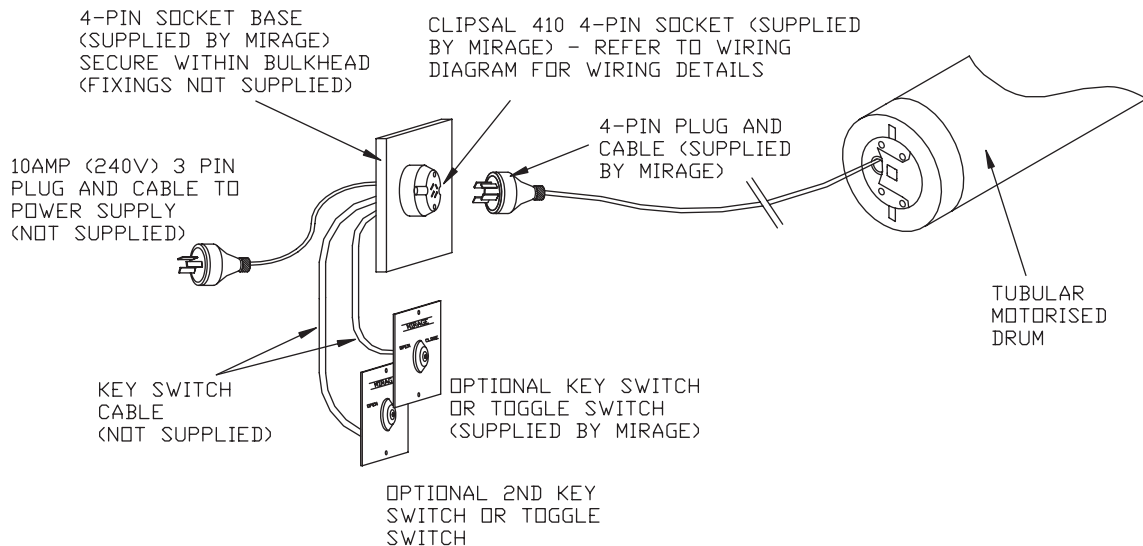
TUBULAR MOTORISED SERIES 35 ALUMINIUM ROLLER SHUTTER ALTERNATIVE COLUMN DETAILS



IMPORTANT
 WHEN USING THIS DETAIL, THE BULKHEAD MUST BE SUFFICIENTLY STRUCTURAL TO SUPPORT THE WEIGHT OF THE MOTORISED DOOR

A MANUAL RELEASE MECHANISM IS NOT AVAILABLE WITH THIS PRODUCT

TUBULAR MOTORISED ALUMINIUM ROLLER SHUTTER 4-PIN PLUG ASSEMBLY



Mirage Doors has a continuous program of product development and reserves the right to change specifications at any time without notice.

PLEASE NOTE

1. IF INADEQUATE ACCESS IS PROVIDED MIRAGE WILL NOT BE HELD RESPONSIBLE FOR MAINTENANCE NOR THE COSTS INCURRED TO CREATE ADEQUATE ACCESS
2. MIRAGE TUBULAR MOTORISED SHUTTERS MUST BE INSTALLED TO STRUCTURAL SUPPORTS i.e. TIMBER STUDS, CORE FILLED MASONRY, TILT UP CONCRETE PANELS
3. ALL STRUCTURAL SUPPORTS FOR BRACKETS AND SIDE GUIDES TO BE PROVIDED BY OTHERS
4. ALL WIRING AND SETTING OF LIMITS BY OTHERS