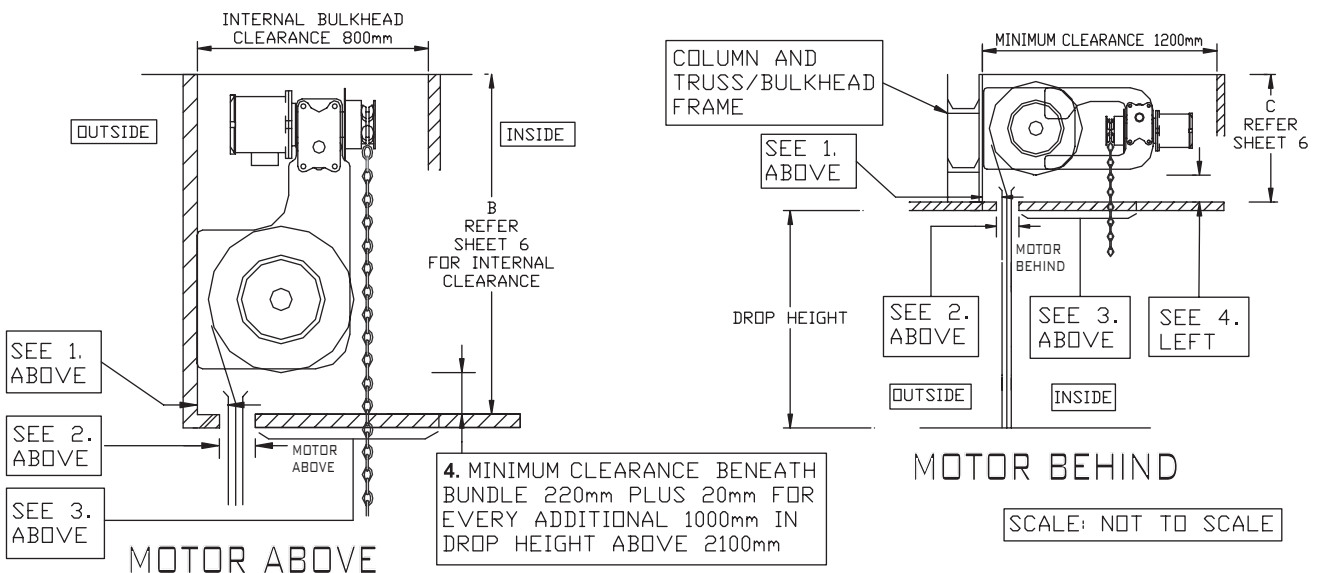
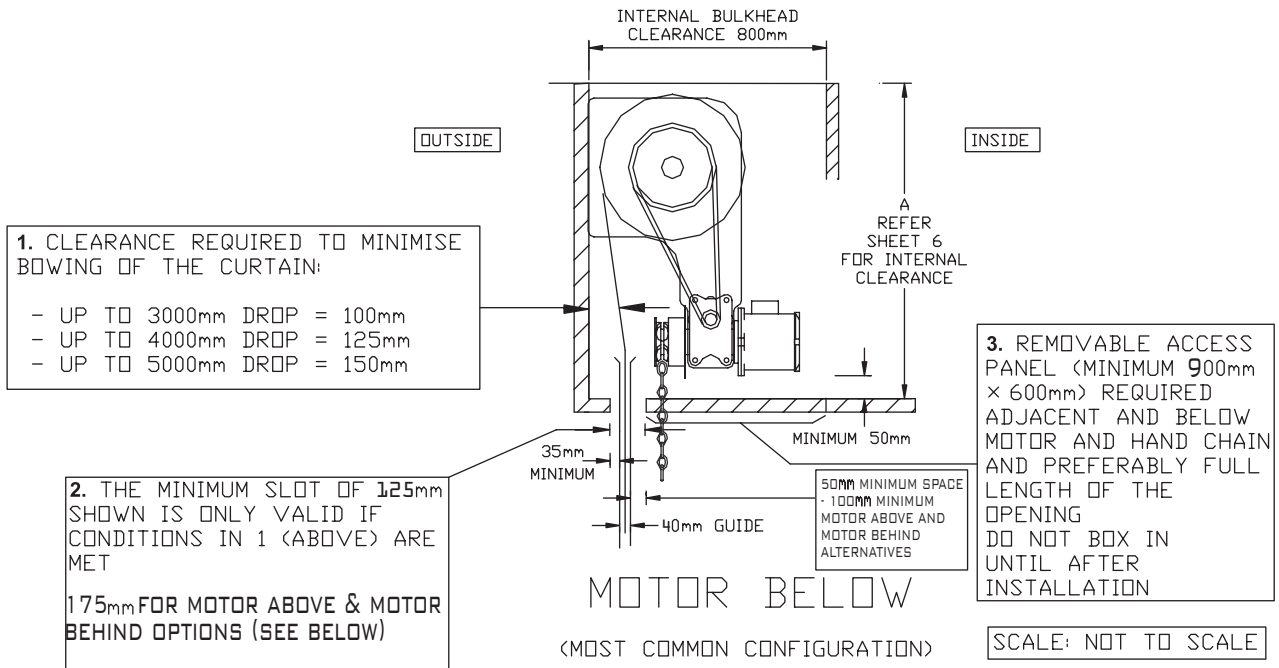


**SERIES 3 MOTORISED SHUTTERS SUGGESTED BULKHEAD DETAILS & OPERATIONAL CLEARANCES**



Mirage Doors has a continuous program of product development and reserves the right to change specifications at any time without notice.

PLEASE NOTE:

1. IF INADEQUATE ACCESS IS PROVIDED MIRAGE WILL NOT BE HELD RESPONSIBLE FOR MAINTENANCE NOR THE COSTS INCURRED TO CREATE ADEQUATE ACCESS
2. MIRAGE SERIES 3 ROLLER SHUTTERS WEIGH APPROXIMATELY 25KG/M<sup>2</sup>. THEREFORE THE SHUTTERS MUST BE INSTALLED TO STRUCTURAL SUPPORTS, I.E. RHS STEEL POSTS, CORE FILLED MASONRY, TILT UP CONCRETE PANELS
3. ALL STRUCTURAL SUPPORTS FOR BRACKETS AND SIDE GUIDES TO BE PROVIDED BY OTHERS
4. THE ABOVE DETAILS ARE ONLY APPLICABLE TO THE MIRAGE SERIES 3 ROLLER SHUTTER
5. ALL WIRING AND SETTING OF LIMITS BY OTHER