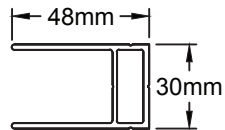
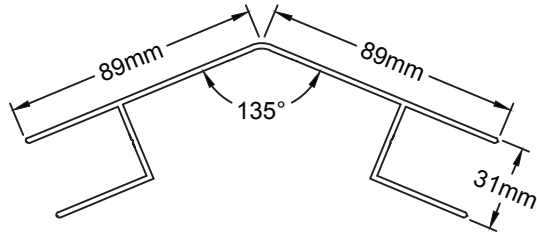


For slot width in bulkhead refer to Tech. Sheets 1 & 2

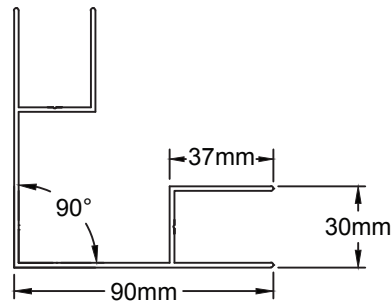
STANDARD SIDE GUIDE



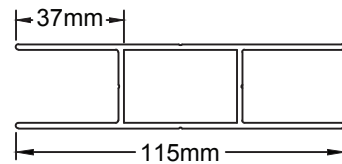
VERTICAL HINGE LINK



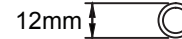
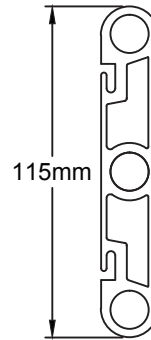
STANDARD 135° GUIDE



STANDARD 90° CORNER MULLION

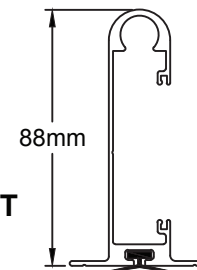


STANDARD 180° CENTRE MULLION

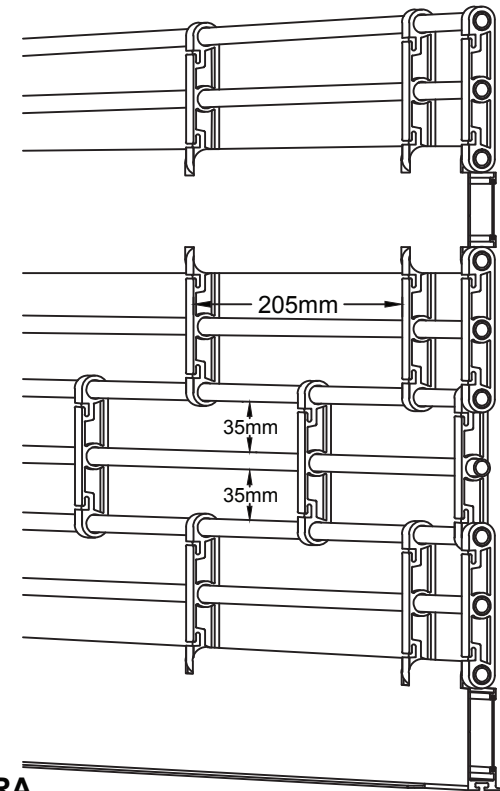


ALUMINIUM EXTRUDED BOTTOM RAIL

FRONT



OPTIONAL EXTRA Black Rubber Bottom Rail Seal



Aluminium extruded bottom rail