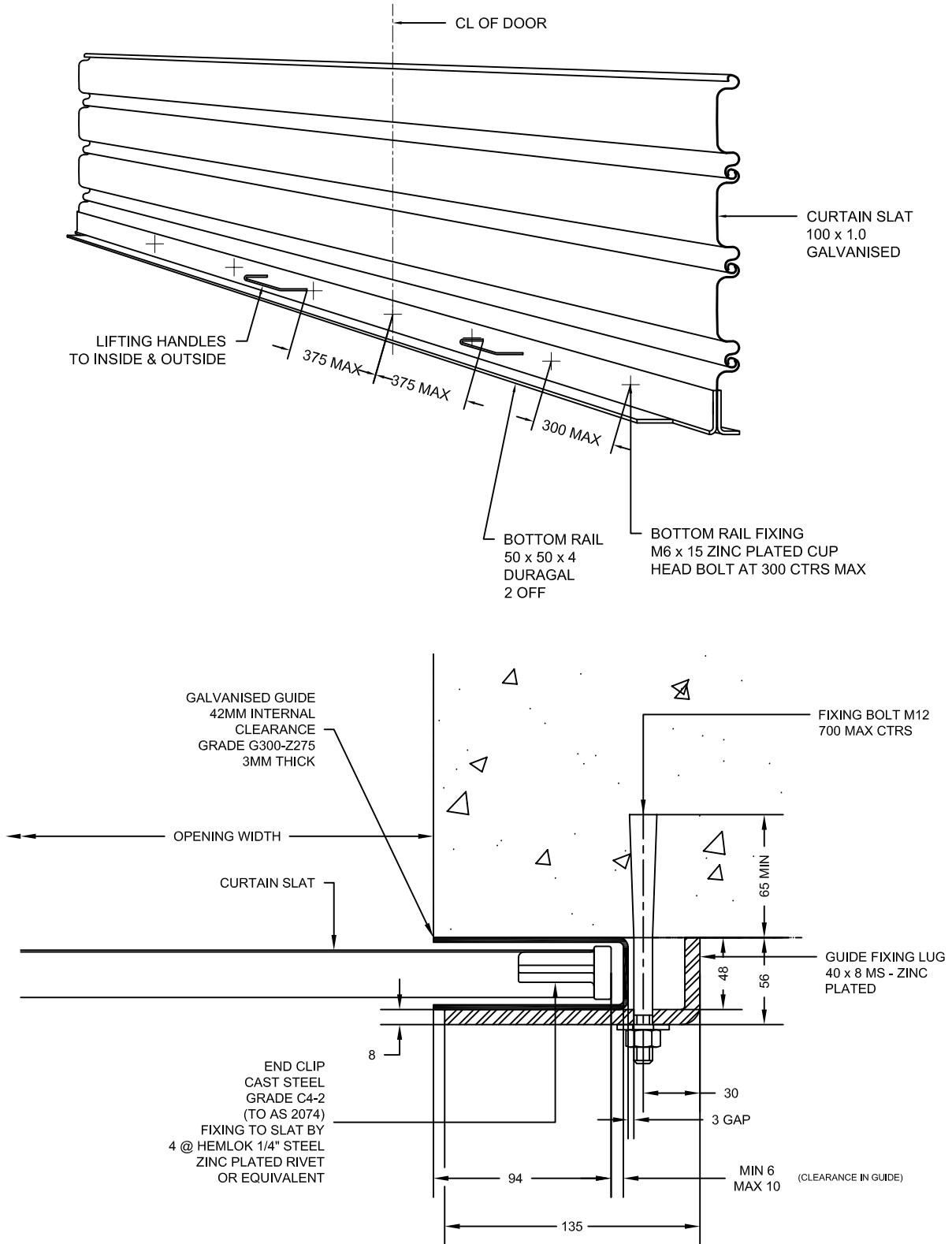


Fire Rated Steel Roller Shutters Bottom Rail Detail and Guide Fixing Detail



Please Note: This Fire Shutter is designed for use in walls and other elements of construction required to provide fire resistance. Reference should be made to the requirements of Building Code of Australia and materials tested to AS1530. This Fire Shutter should be installed in conjunction with the requirements of AS1905.2 and Exova Letter of Opinion Report #27544-07.