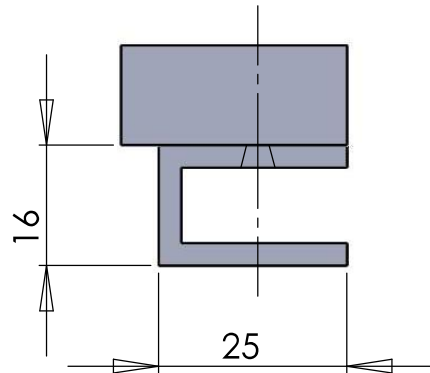
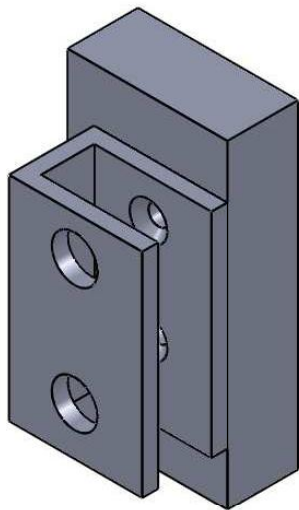
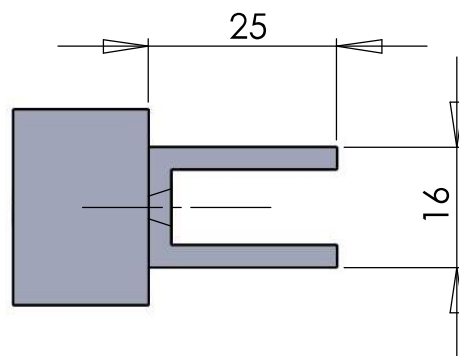
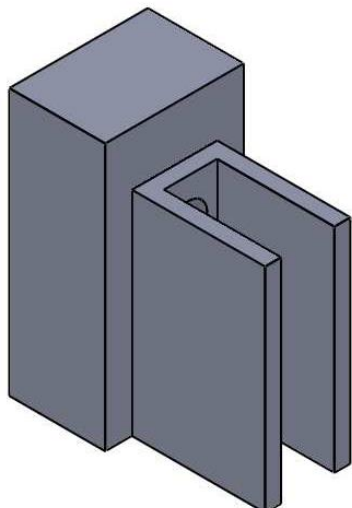


RECESSED GUIDE



FACE FIXING GUIDE



SIDE FIXING GUIDE

SERIES 25 MICRO-SLAT GUIDE FIXING DETAILS

CONFIDENTIAL NOTE: This drawing and its designs, specifications and engineering information disclosed hereon are the property of MIRAGE DOORS (AUST) PTY LTD and are not to be disseminated or reproduced without express written consent. The drawing is loaned in confidence and then only for consideration of the matter hereon. In accepting loan of this drawing, the recipient agrees to keep it and the matter disclosed hereon in confidence and not to use nor permit their use in any way detrimental to MIRAGE DOORS (AUST) PTY LTD

SCALE
NTS

MIRAGE DOORS (AUST) PTY LTD

DRAWN
H.P.LY

ABN 601 182 629
PH 1800 465 599

DATE
21/09/10

DWG No:

AMI-AL0019C