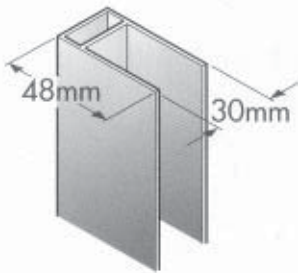
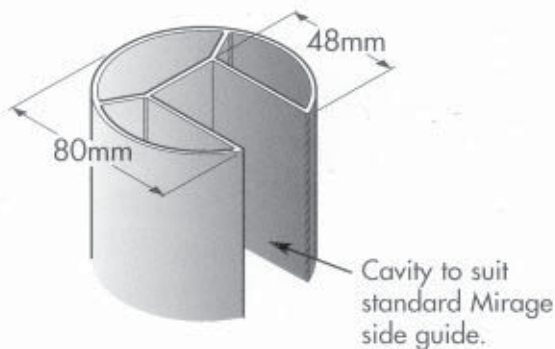


ROUND SUPPORT POST

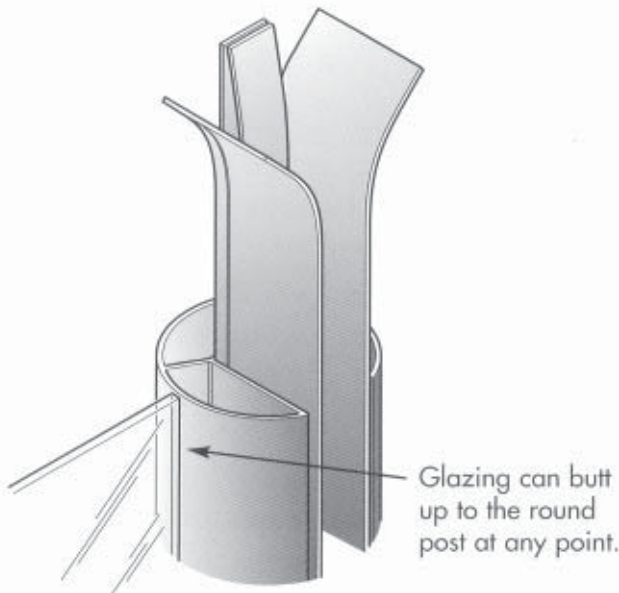
fl80mm. Product Code AE/MRP/80



Mirage Standard Extruded Side Guide Channel.



Mirage Extruded Aluminium Round Post. Product code AE/MRP/80. Designed to help support and to conceal the roller grille or roller shutter standard side guide.



The guide protrudes from the top of the round post with the top flared outwards. The side guide is positioned to give a flush finish at the perimeter of the round post.

When using this post on single door applications future maintenance may be restricted. (Refer to a Mirage Technical Representative.)

VIC. Melbourne 8 Walker Street, Braeside, 3195 P.O. Box 149, Braeside M.C., Vic. 3195
Tel. (03) 9587 1999 Fax (03) 9587 2546

N.S.W. Sydney Tel. (02) 9756 6255 Fax (02) 9756 6299

QLD. Brisbane Tel. (07) 3848 5599 Fax (07) 3848 5399 (Building Lic. No. 070127)
Townsville Tel./Fax (07) 4775 5499 Mobile 0412 498 575

W.A. Perth Tel. (08) 9249 3411 Fax (08) 9249 3511

OTHER PRODUCTS AVAILABLE . . .

- Aluminium economy roller grilles
- Aluminium security roller grilles
- Aluminium heavy duty roller grilles
- Clearline polycarbonate shutters
- Aluminium extruded shutters series
- 1, 2, 3 suitable openings: 0.5m - 10m
- Steel roller shutters
- Steel vehicle shutters
- Aluminium vehicle shutters
- Folding & concertina doors
- Traffic doors
- Fold-up counterweight doors
- Lift-up counterweight doors
- Vertical and horizontal sliding doors
- Sectional overhead doors