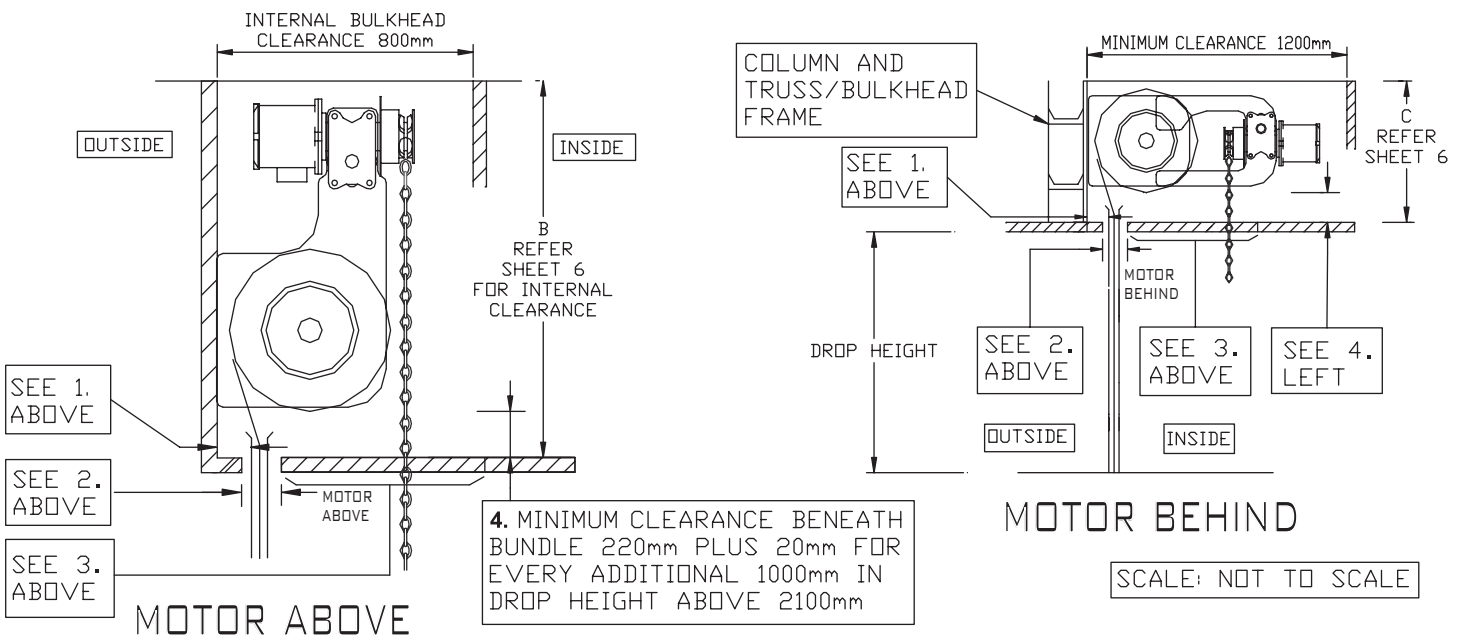
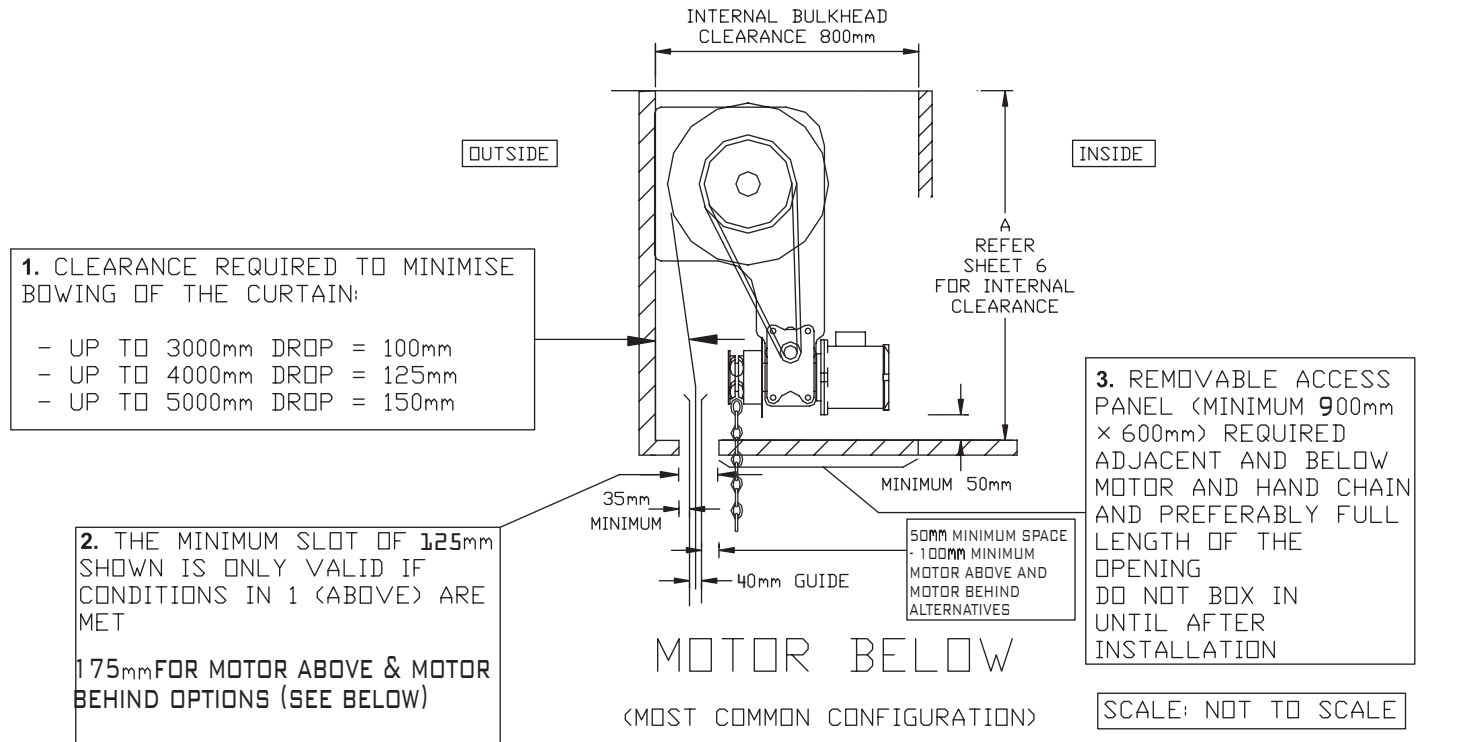


**SERIES 3 MOTORISED ROLLER SHUTTERS MOTOR MOUNTING POSITION OPTIONS**



**NOTES:**

1. Series 3 roller shutters must be installed to structural supports i.e. core - filled masonry, structural steel or concrete. Timber or aluminium supports, or hollow metal stud walls are deemed inadequate;
2. Preparation of openings to suit the quoted products is by others;
3. The Series 3 roller shutter is NOT recommended for applications exceeding six (6) cycles per day;
4. The weight of a Series 3 roller shutter is approx. m2;
5. For motorised shutters, provision of an appropriate power supply is by others.