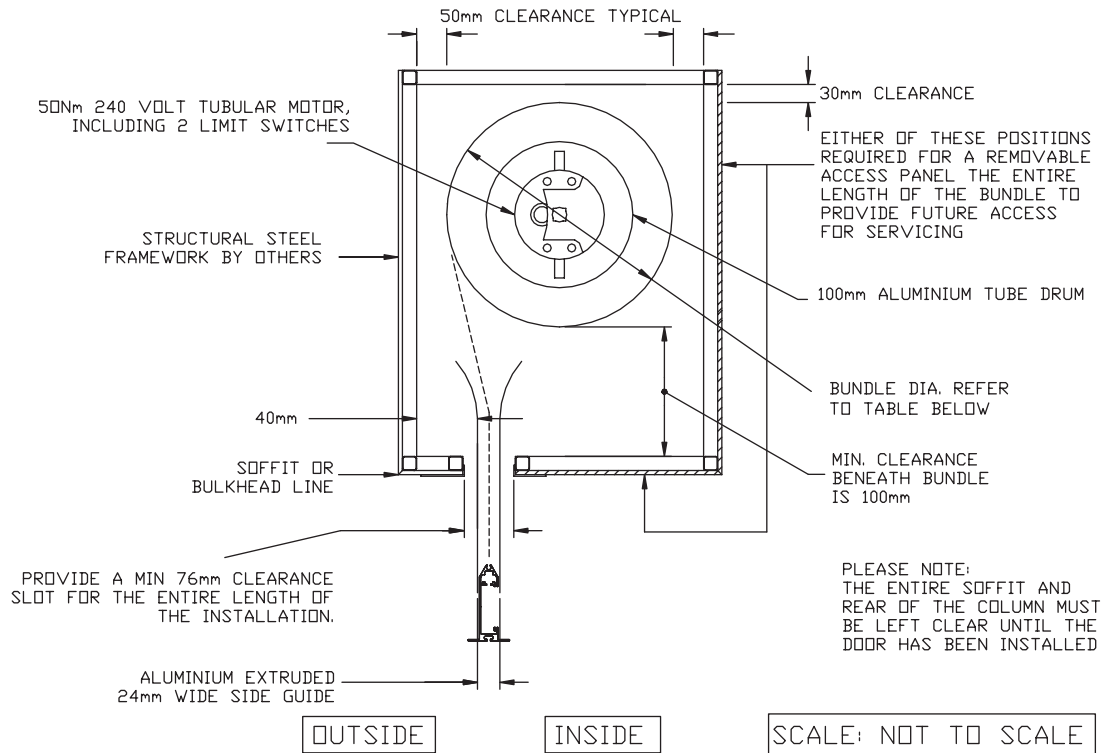


**SERIES 35 ALUMINIUM ROLLER SHUTTERS
 RECOMMENDED BULKHEAD DETAILS & CLEARANCES**



N.B THE INTERNAL END OF THE BULKHEAD MUST BE CLEAR TO AT LEAST A MINIMUM OF 65mm OR A RECOMMENDED 153mm FROM THE DAYLIGHT OPENING, i.e THE FRONT OF THE GUIDE (REFER TO TECH SHEETS 15C AND 15D)

N.B DROP HEIGHT IS MEASURED FROM SOFFIT OR BULKHEAD LINE TO THE FLOOR

N.B REMOVABLE MULLIONS ARE NOT RECOMMENDED FOR THIS PRODUCT

N.B A MANUAL RELEASE MECHANISM IS NOT AVAILABLE WITH THIS PRODUCT

N.B LOCKS SHOULD NOT BE FITTED, BUT SOME LIFTING OF THE SHUTTER MAY BE POSSIBLE

MIRAGE TYPICAL DIMENSIONS REQUIRED FOR VARIOUS DROPS						
Drop Height	900	1200	1500	1800	2100	2400
Bundle Dia.	180	190	200	230	240	250
Min Total Horizontal Internal Space Required	280	290	300	330	340	350
Min Total Vertical Internal Space Required	310	320	330	360	370	380

	Width	Height
MAXIMUM SIZES	2400	2250
MINIMUM SIZES	800	300

Refer to your Mirage representative for weights of the roller doors.

NOTES:

Due to the unique guide & bracket interface, it is critical that appropriate guide supports are available, as the weight of the shutter is taken on the guides.

Mirage Doors has a continuous program of product development and reserves the right to change specifications at any time without notice.