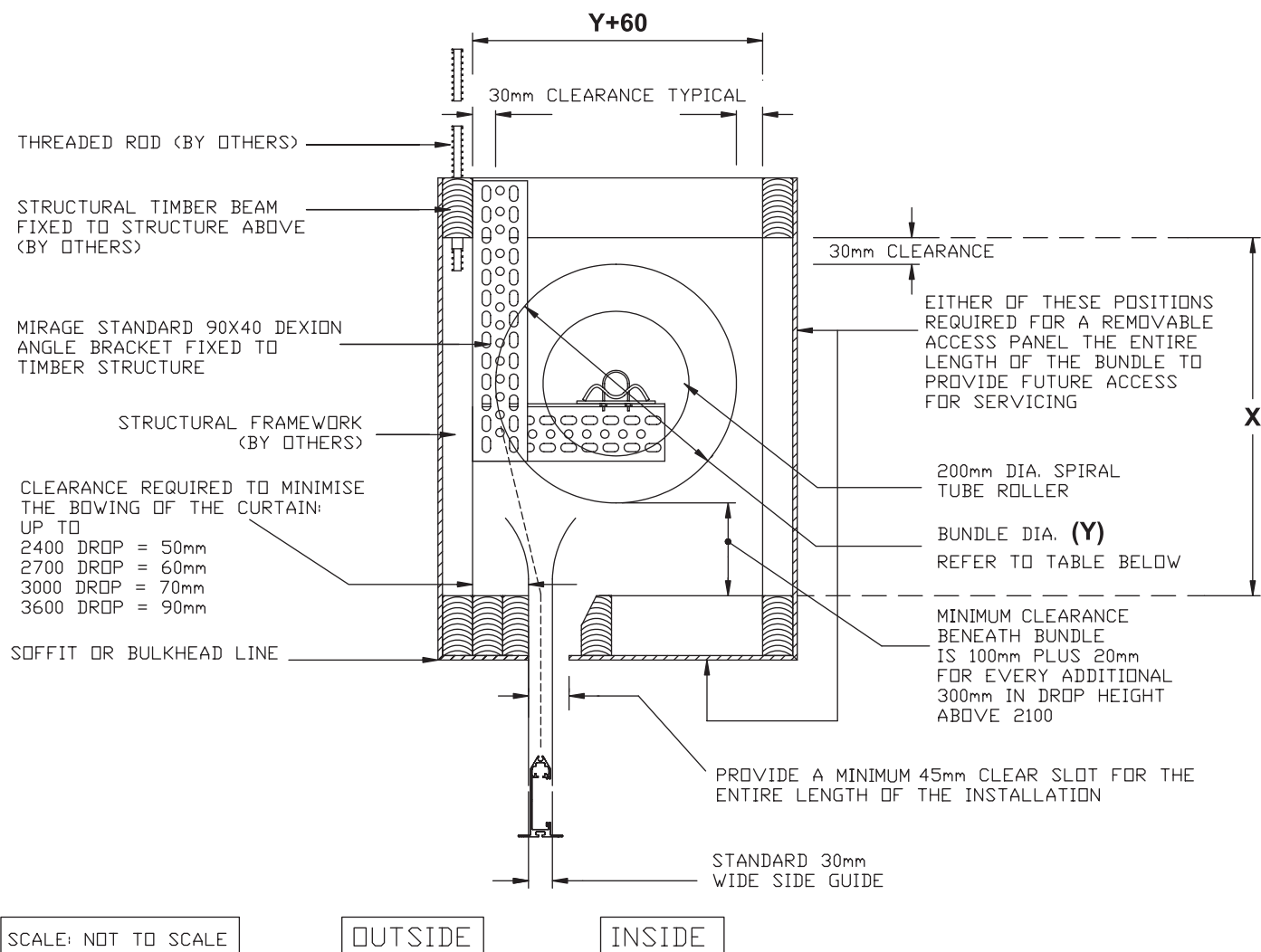


SERIES 2 ROLLER SHUTTERS - RECOMMENDED BULKHEAD DETAILS



N.B THE INTERNAL END OF THE BULKHEAD MUST BE CLEAR TO AT LEAST THE BACK OF THE GUIDE OR OVERALL THE REMOVABLE SIDE MULLION

N.B DROP HEIGHT IS MEASURED FROM SOFFIT OR BULKHEAD LINE TO THE FLOOR

MANUAL OPERATION ONLY - FOR MOTORISED OPERATION REFER TO TECH SHEETS 7A, 7B, 7C & 7D

MIRAGE TYPICAL DIMENSIONS REQUIRED FOR VARIOUS DROPS								
DROP HEIGHT (mm)	1200	1500	1800	2100	2400	2700	3000	3500
BUNDLE DIAMETER Y (mm)	290	300	320	330	340	370	400	420
RECOMMENDED INTERNAL SPACE REQUIRED X (mm)	420	430	450	460	490	540	590	630
MINIMUM INTERNAL SPACE REQUIRED X (mm)	400	410	430	440	450	480	510	530

NOTES:

1. Preparation of openings to suit the quoted products is by others;
2. The buyer is responsible for provision of suitable ceiling access;
3. Weights of Series 2 shutters are 10 kg. / m2 (manual) or 14 kg / m2 (motorised);
4. Series 2 roller shutters are available for external applications, but cannot be wind rated;
5. Series 2 roller shutters cannot be reverse rolled i.e. mounted on the outside of the opening with the curtain facing externally.

Mirage Doors has a continuous program of product development and reserves the right to change specifications at any time without notice.