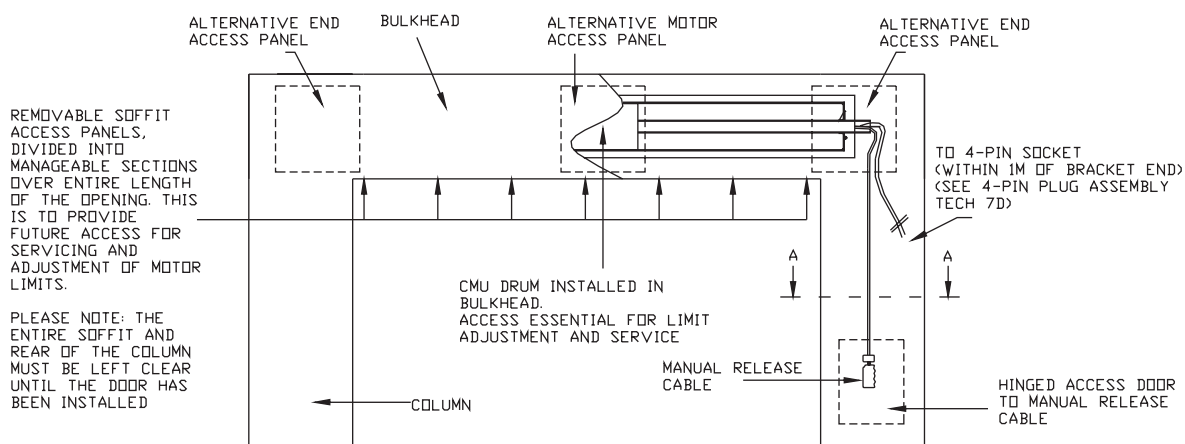
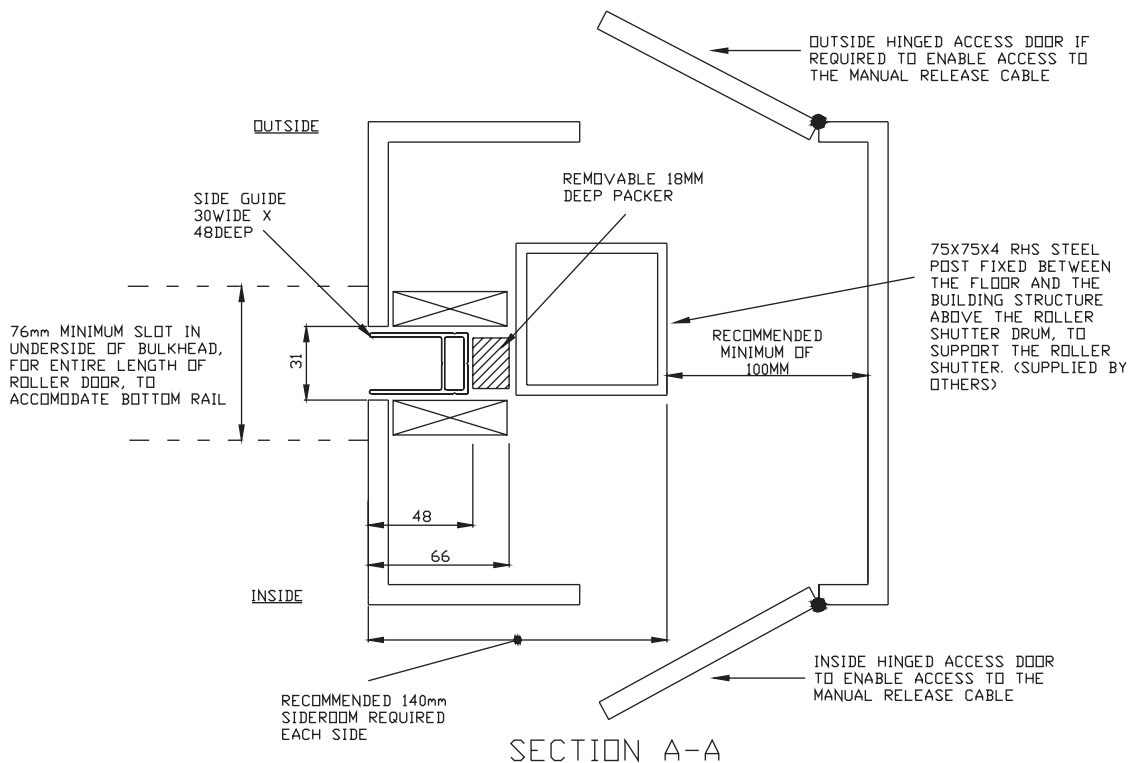


**SERIES 1 ROLLER SHUTTERS c/- 240v INTERNAL DRIVE
 MOTORISATION RECOMMENDED COLUMN DETAILS**



NOTES:

- Mirage Doors does not recommend the use of internal drive motors on shutters under 1800mm wide, due to lack of security;
- Motorised Clearline roller shutters must be attached to structural supports. Provision of these supports is by others;
- The provision of suitable ceiling / bulkhead access is by others;
- As Mirage products are mechanical, full length bulkhead or ceiling access is recommended. It is NOT recommended to install roller shutters inside a set ceiling. As such, Mirage Doors is not responsible for costs that may occur to achieve access inside a set ceiling or bulkhead.
- Provision of a 240v GPO (one per shutter) and electrical connection / commission of the motors is by others.

Mirage Doors has a continuous program of product development and reserves the right to change specifications at any time without notice.