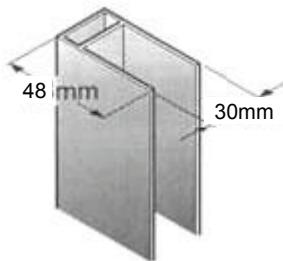
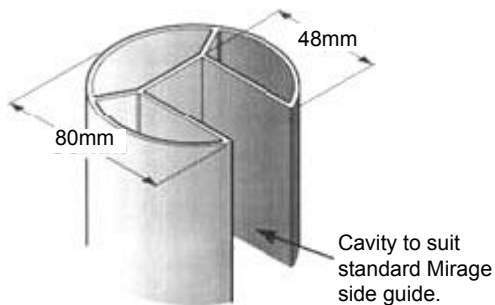


ROUND ALUMINIUM SUPPORT POST 80mm DIAMETER

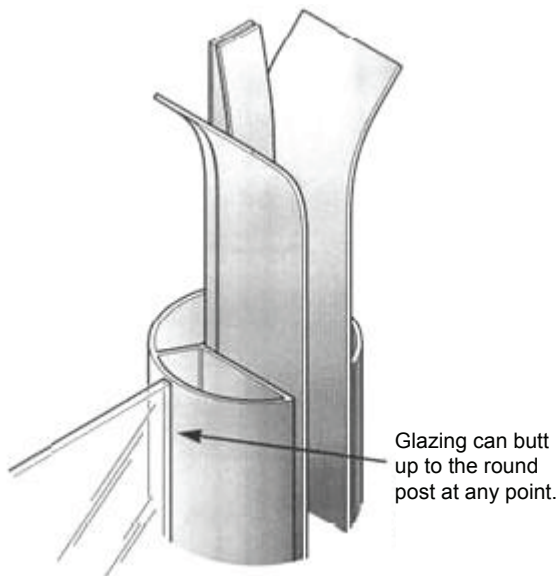
The round aluminium support post permits the interfacing of glazing with a roller grille.



Mirage Standard Extruded Side Guide Channel.



Mirage Extruded Aluminium Round Post. Product code AE/MRP/80. Designed to help support and to conceal the roller grille or roller shutter standard side guide.



The guide protrudes from the top of the round post with the top flared outwards. The side guide is positioned to give a flush finish at the perimeter of the round post.

When using this post on single door applications future maintenance may be restricted. (Refer to a Mirage Technical Representative.)

Base and head fixing plates are available as an optional extra.

NOTES:

1. The aluminium square support post is not a structural post, and is not to be installed for a structural purpose;
2. The post is sold supply only, for installation by the shopfitter, joiner or builder;
3. The standard finish is mat natural anodised. The post is also available in a powdercoat finish.