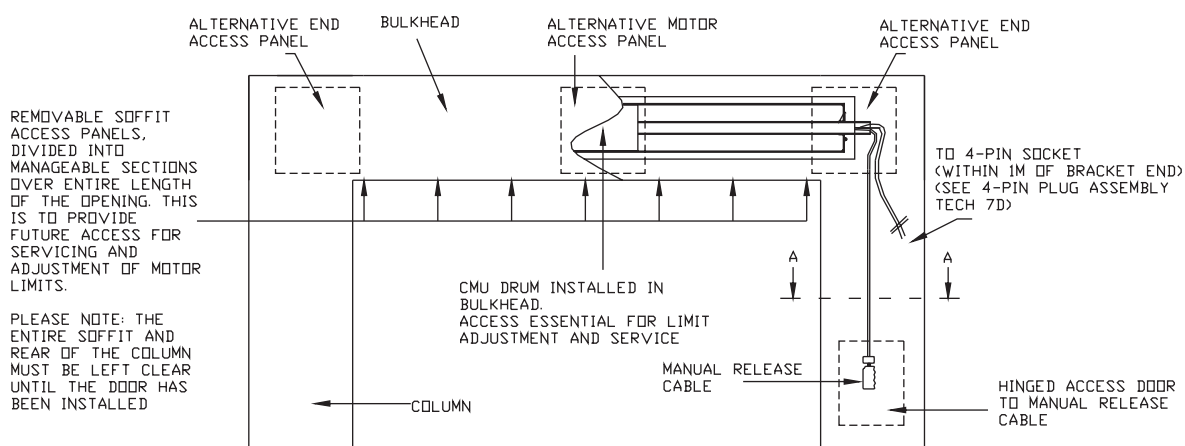
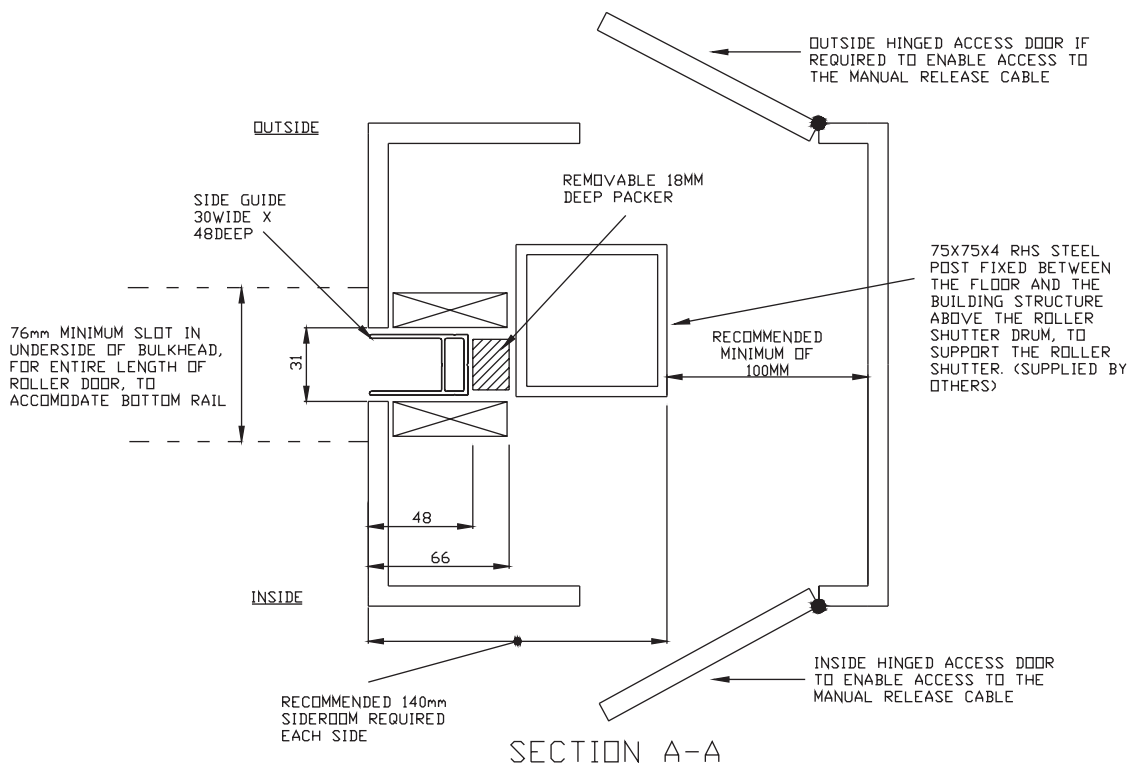


**CLEARLINE ROLLER SHUTTERS c/- 240v INTERNAL DRIVE MOTORISATION  
 RECOMMENDED COLUMN DETAILS**



ELEVATION OF DOOR OPENING WITH  
 CUTAWAY SECTION OF CMU DRUM INSTALLED IN BULKHEAD

1. Mirage Doors does not recommend the use of internal drive motors on shutters under 1800mm wide, due to lack of security;
2. Motorised Clearline roller shutters must be attached to structural supports. Provision of these supports is by others;
3. The provision of suitable ceiling / bulkhead access is by others;
4. As Mirage products are mechanical, full length bulkhead or ceiling access is recommended. It is NOT recommended to install roller shutters inside a set ceiling. As such, Mirage Doors is not responsible for costs that may occur to achieve access inside a set ceiling or bulkhead.
5. Provision of a 240v GPO (one per shutter) and electrical connection / commission of the motors is by others.