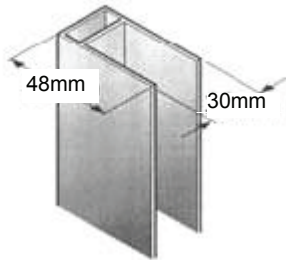
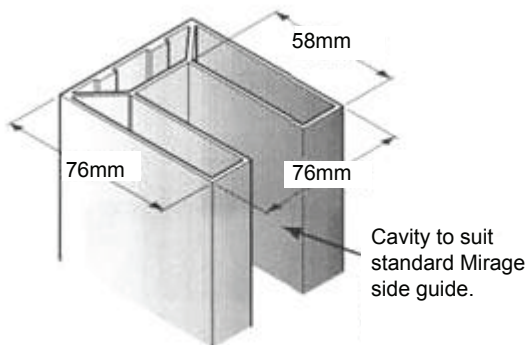


**ALUMINIUM SQUARE SUPPORT POST 76mm x 76mm**

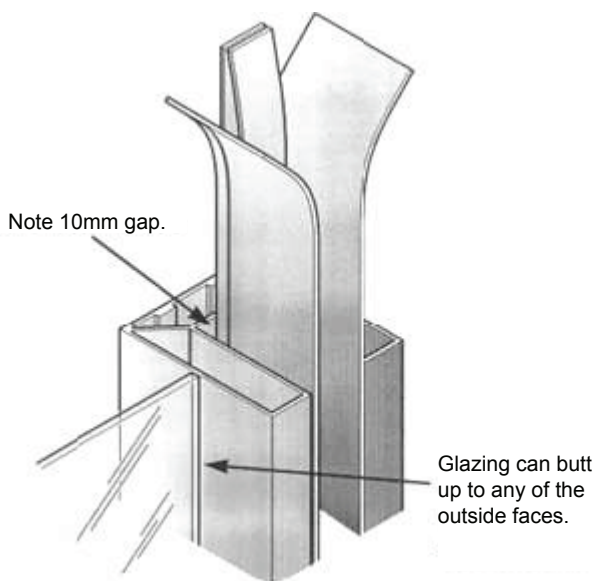
The square aluminium support post permits the interfacing of glazing with a roller grille.



Mirage Standard Extruded Aluminium Side Guide Channel.



Mirage Heavy Duty Extruded Aluminium Post. Product code AE / MSP / 76x76. Designed to help support and to help conceal the roller grille or roller shutter standard side guide. Post wall thickness is 2mm.



The guide protrudes from the top of the square post with the top flared. The side guide is positioned to give a flush finish with the face of the post. This allows for a 10mm gap between the back of the guide and the inside of the post. This unique feature allows Mirage to install or service the door without interrupting the ceiling/bulkhead or removing the posts.

Base and head fixing plates are available as an optional extra.

**NOTES:**

1. The aluminium square support post is not a structural post, and is not to be installed for a structural purpose.
2. The post is sold supply only, for installation by the shopfitter, joiner or builder.
3. The standard finish is matt natural anodised. The post is also available in a powdercoat finish.